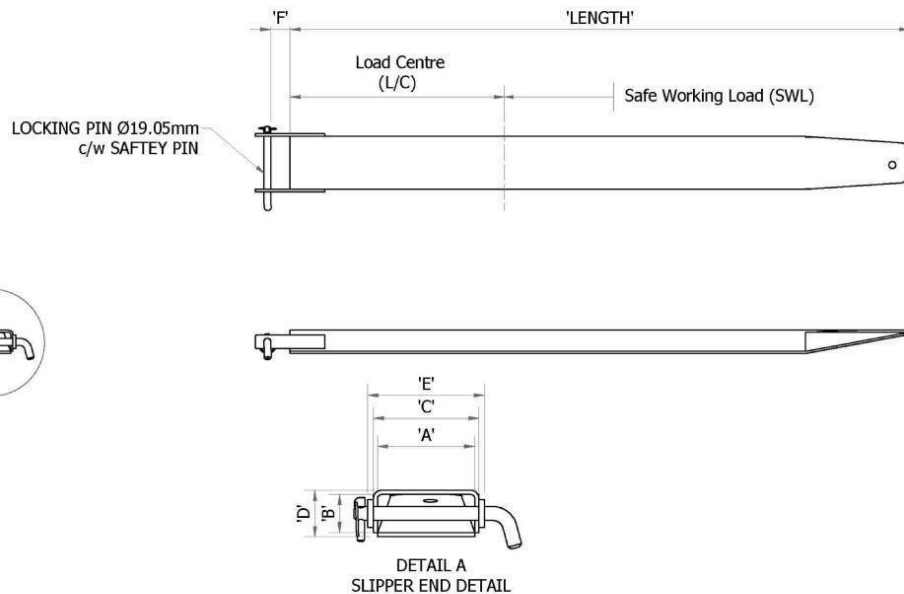


# Product Specification

## FORKLIFT SLIPPERS CLASS 1



Forklift slippers are designed and manufactured to temporarily extend existing fork tynes and shouldn't be used as a permanent attachment. In accordance with AS2359.15 fork slippers used for general usage should be no longer than 167% of the supporting tyne's length. If the slippers are longer than 167%, then the usage of those slippers shall be restricted to their specified application. When using Fork Slipper Tyne Extensions, caution must be exercised to ensure that they are used only for load stabilizing purposes and that the load is uniform and fully supported by the appropriate fork tyne. Zinc plated finish. Supplied with heel lock pins.



TYPE	FORK CAPACITY (KG)	DIMENSIONS (MM)						WEIGHT PER PAIR (KG)	HORIZONTAL CENTRE OF GRAVITY (MM)	WLL (KG) AT 600mm Load Centre (LC)
		LENGTH	POCKET SIZE (A X B)	C	D	E	F			
<b>Class 1</b>										
DHE.CL1-1500	0-999	1500	110 X 50	122	61	142	60	45	690	2500KG AT 600MM LC
DHE.CL1-1600	0-999	1600	110 X 50	122	61	142	60	48	730	2500KG AT 600MM LC
DHE.CL1-1783	0-999	1783	110 X 50	122	61	142	60	52	830	2500KG AT 600MM LC
DHE.CL1-2100	0-999	2100	110 X 50	122	61	142	60	63	995	2500KG AT 600MM LC
DHE.CL1-2400	0-999	2400	110 X 50	122	61	142	60	69	1135	2500KG AT 600MM LC