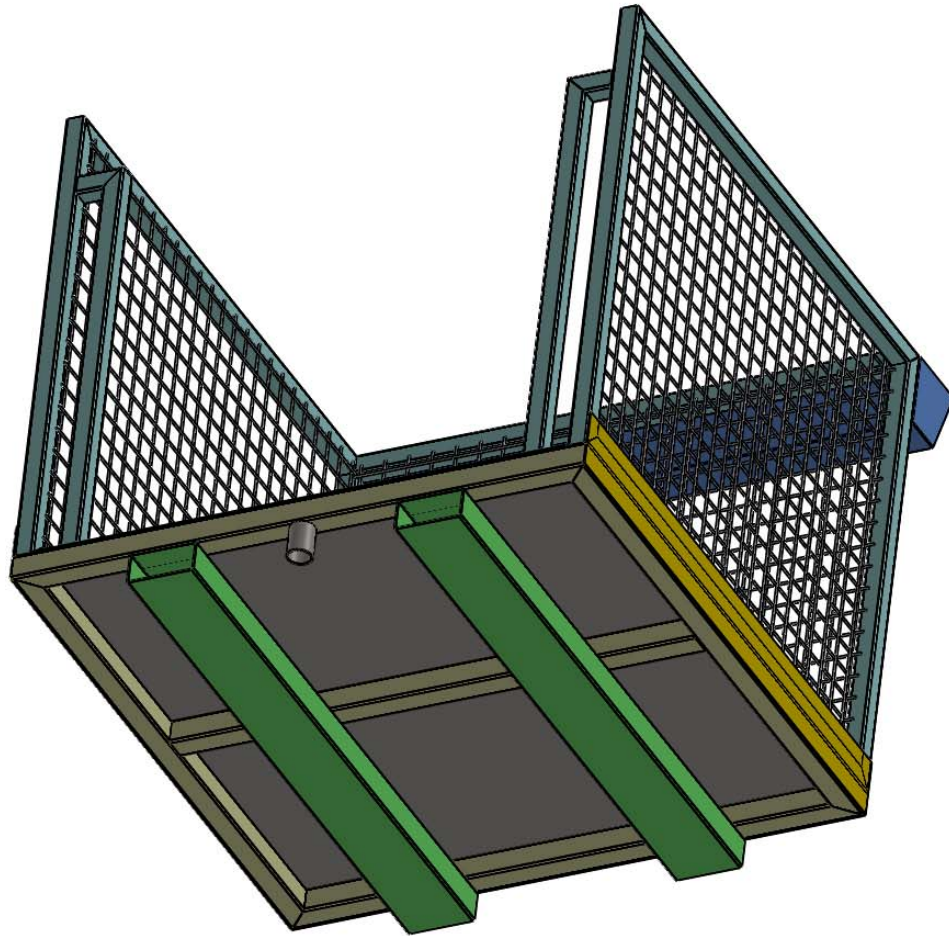
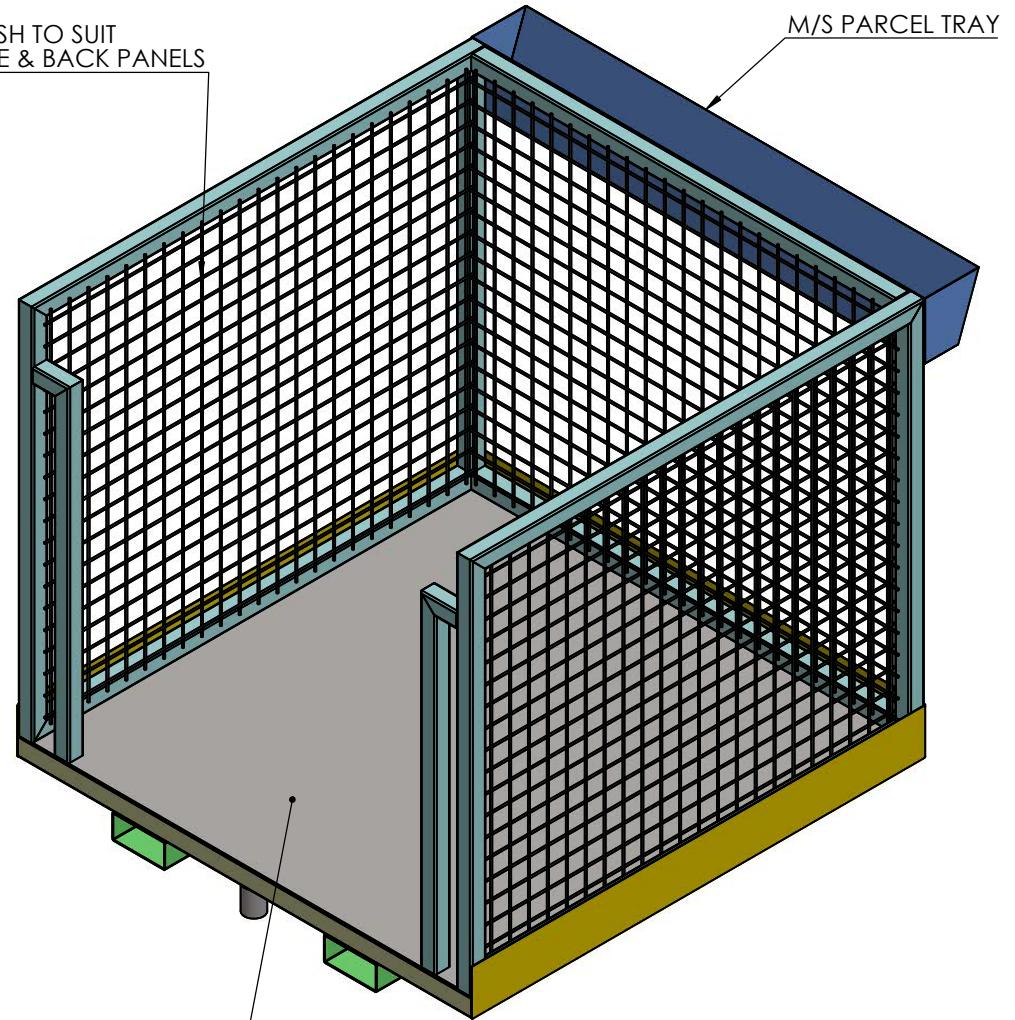


OVERVIEW



UNDERSIDE

MESH TO SUIT
SIDE & BACK PANELS



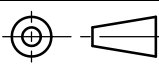
CHEQUER PLATE FLOOR

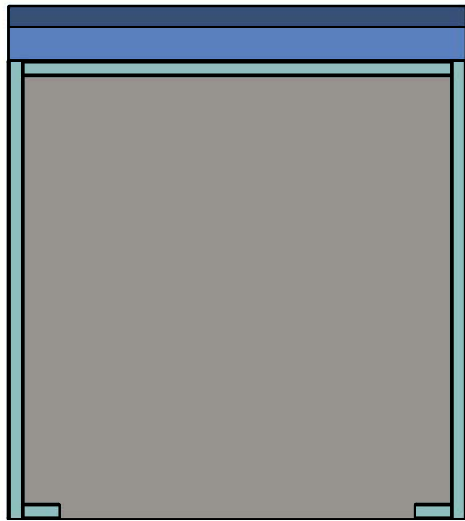


CONFIDENTIAL
The information contained herein is the sole property of DHE MHE and must not be reproduced, copied or otherwise used in whole or part to assist in the making or to furnish any information for the making of drawings or parts except with the written permission of DHE MHE
©DHE MATERIALS HANDLING EQUIP 2019

D H E M A T E R I A L S H A N D L I N G E Q U I P M E N T
28 Aster Avenue, Carrum Downs, Vic, 3201
email: sales@dhemhe.com.au - Ph. 1300 067 281

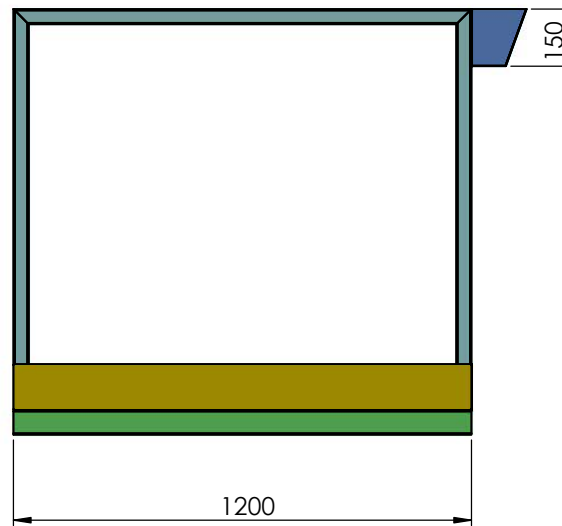
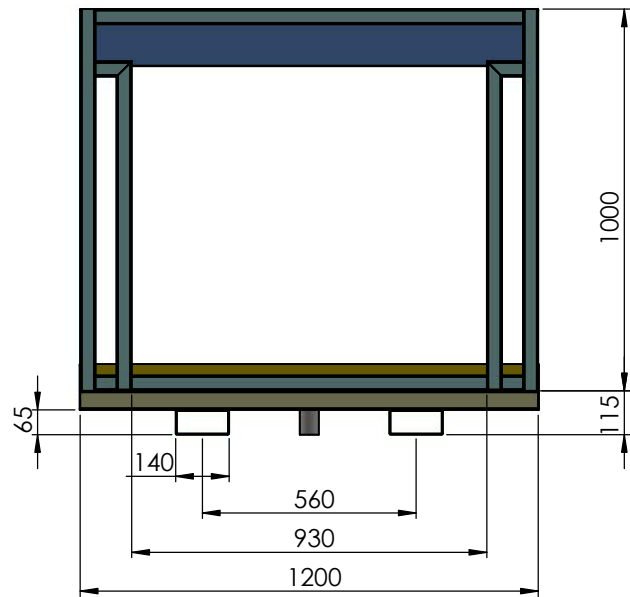
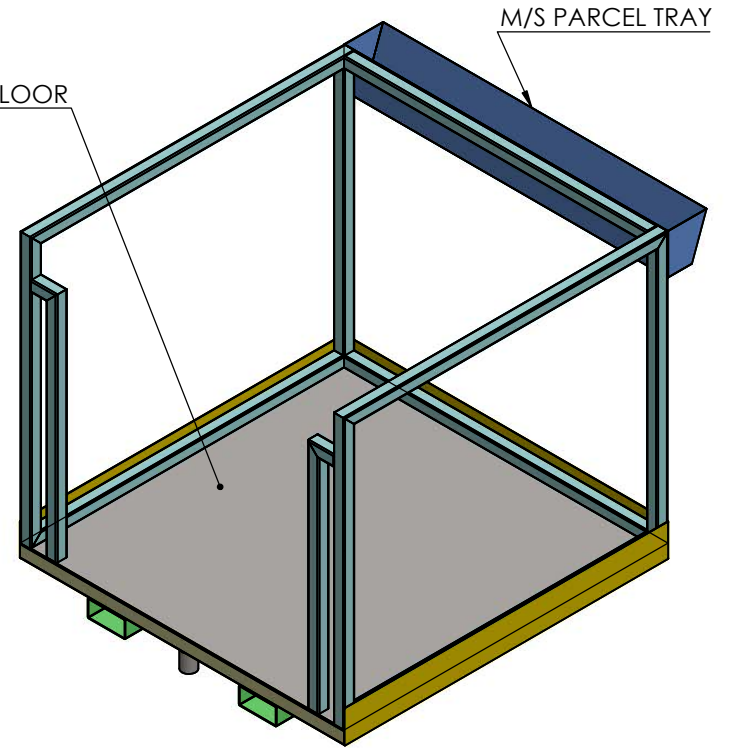
TOLERANCES:
ALL DIMENSIONS IN MM
UNLESS STATED OTHERWISE ALL TOLERANCES TO BE AS FOLLOWS:
+- 0.1
DRAWN TO AS1100

DATE 16/03/2020	MATERIAL:	QTY PER SET:
DRAWN	FINISH:	
MASS kgs	DESCRIPTION DHE-SPC01 PICKING CAGE	
SCALE: DNS		PART NO
FILE NAME: PICKING CAGE	SHEET	REV
		SHEET SIZE A3



CHEQUER PLATE FLOOR

MAIN FRAME



Specifications

Safe Working Load (SWL)	1000kgs @ 600mm LC
Unit Weight	163kgs
Horizontal Centre of Gravity	670mm
Vertical Centre of Gravity	300mm



CONFIDENTIAL
 The information contained herein is the sole property of DHE MHE and must not be reproduced, copied or otherwise used in whole or part to assist in the making or to furnish any information for the making of drawings or parts except with the written permission of DHE MHE
 ©DHE MATERIALS HANDLING EQUIP 2019

TOLERANCES:
 ALL DIMENSIONS IN MM
 UNLESS STATED OTHERWISE ALL TOLERANCES TO BE AS FOLLOWS:
 +- 0.1
 DRAWN TO AS1100

DATE 16/03/2020	MATERIAL:	QTY PER SET:
DRAWN	FINISH:	
MASS kgs	DESCRIPTION DHE-SPC01 PICKING CAGE	
SCALE: DNS	PART NO	SHEET SIZE A3
FILE NAME: PICKING CAGE	SHEET	REV

D H E M A T E R I A L S H A N D L I N G E Q U I P M E N T
 28 Aster Avenue, Carrum Downs, Vic, 3201
 email: sales@dhemhe.com.au - Ph. 1300 067 281