

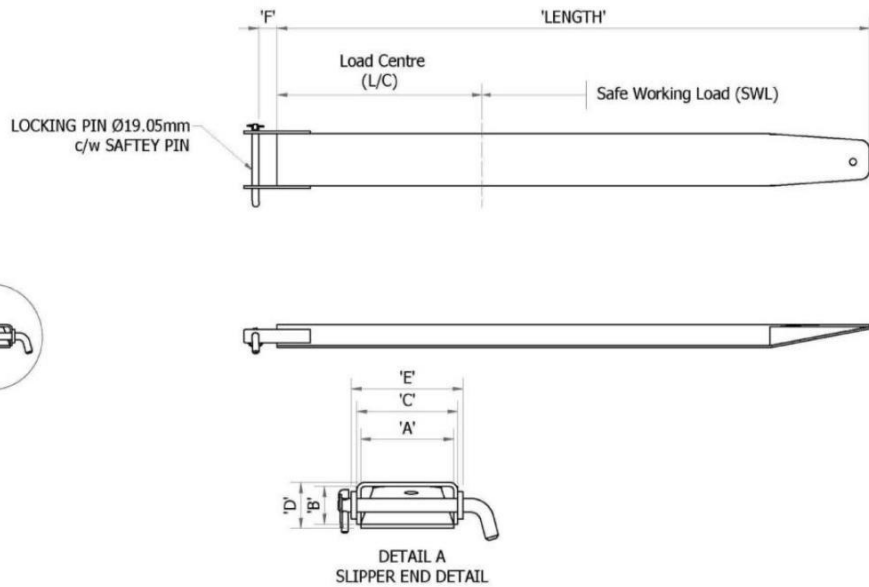
Product Specification

FORKLIFT SLIPPERS CLASS 2

Serial Number 7016 And Greater



Forklift slippers are designed and manufactured to temporarily extend existing fork tynes and shouldn't be used as a permanent attachment. In accordance with AS2359.15 fork slippers used for general usage should be no longer than 167% of the supporting tyne's length. If the slippers are longer than 167%, then the usage of those slippers shall be restricted to their specified application. When using Fork Slipper Tyne Extensions, caution must be exercised to ensure that they are used only for load stabilizing purposes and that the load is uniform and fully supported by the appropriate fork tyne. Zinc plated finish. Supplied with heel lock pins.



Product Specification

As Per AS2359.15-2005 Clause 6.6 - Total lateral clearance shall not exceed 0.1 times the tine blade width and shall not be less than 10mm										
DIMENSIONS (MM)										
TYPE	FORK CAPACITY (KG)	LENGTH	POCKET SIZE (A X B)	C	D	E	F	WEIGHT PER PAIR (KG)	HORIZONTAL CENTRE OF GRAVITY (MM)	SAFE WORKING LOAD (SWL) AT LOAD CENTRE (LC)
Heavy Duty - Standard Width										
DHE.CL2-1500	1000-2500	1500	132 X 53	144	64	164	60	49	700	4000KG AT 600MM LC
DHE.CL2-1600	1000-2500	1600	132 X 53	144	64	164	60	52	TBC	4000KG AT 600MM LC
DHE.CL2-1783	1000-2500	1783	132 X 53	144	64	164	60	59	840	4000KG AT 600MM LC
DHE.CL2-2000	1000-2500	2000	132 X 53	144	64	164	60	65	950	4000KG AT 600MM LC
DHE.CL2-2100	1000-2500	2100	132 X 53	144	64	164	60	69	TBC	4000KG AT 600MM LC
DHE.CL2-2400	1000-2500	2400	132 X 53	144	64	164	60	79	1145	4000KG AT 600MM LC
DHE.CL2-3000	1000-2500	3000	132 X 53	144	64	164	60	100	TBC	4000KG AT 600MM LC
Heavy Duty - Narrow Width										
DHE.CL2-1500-N	1000-2500	1500	110 X 53	122	64	142	60	46	700	4000KG AT 600MM LC
DHE.CL2-1600-N	1000-2500	1600	110 X 53	122	64	142	60	49	TBC	4000KG AT 600MM LC
DHE.CL2-1783-N	1000-2500	1783	110 X 53	122	64	142	60	55	840	4000KG AT 600MM LC
DHE.CL2-2000-N	1000-2500	2000	110 X 53	122	64	142	60	61	950	4000KG AT 600MM LC
DHE.CL2-2100-N	1000-2500	2100	110 X 53	122	64	142	60	65	TBC	4000KG AT 600MM LC
DHE.CL2-2400-N	1000-2500	2400	110 X 53	122	64	142	60	74	1145	4000KG AT 600MM LC
DHE.CL2-3000-N	1000-2500	3000	110 X 53	122	64	142	60	95	TBC	4000KG AT 600MM LC
Heavy Duty - Wide Width										
DHE.CL2-1500-W	1000-2500	1500	140 X 53	152	64	172	60	53	700	4000KG AT 600MM LC
DHE.CL2-1600-W	1000-2500	1600	140 X 53	152	64	172	60	56	TBC	4000KG AT 600MM LC
DHE.CL2-1783-W	1000-2500	1783	140 X 53	152	64	172	60	63	840	4000KG AT 600MM LC
DHE.CL2-2000-W	1000-2500	2000	140 X 53	152	64	172	60	70	950	4000KG AT 600MM LC
DHE.CL2-2100-W	1000-2500	2100	140 X 53	152	64	172	60	74	TBC	4000KG AT 600MM LC
DHE.CL2-2400-W	1000-2500	2400	140 X 53	152	64	172	60	85	1145	4000KG AT 600MM LC
DHE.CL2-3000-W	1000-2500	3000	140 X 53	152	64	172	60	105	TBC	4000KG AT 600MM LC