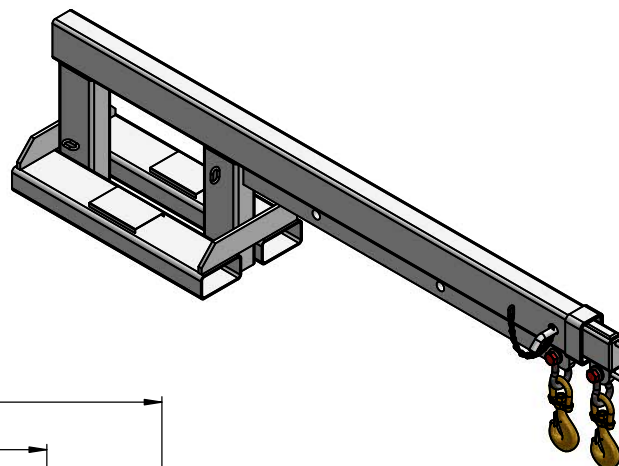


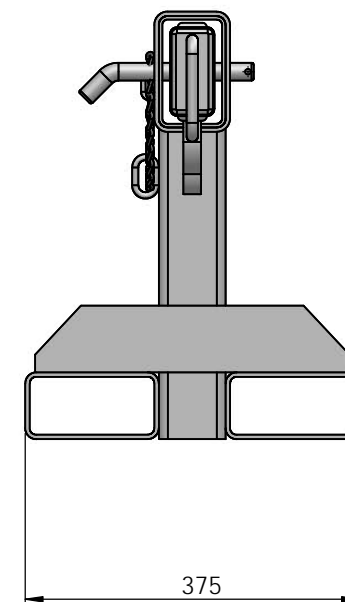
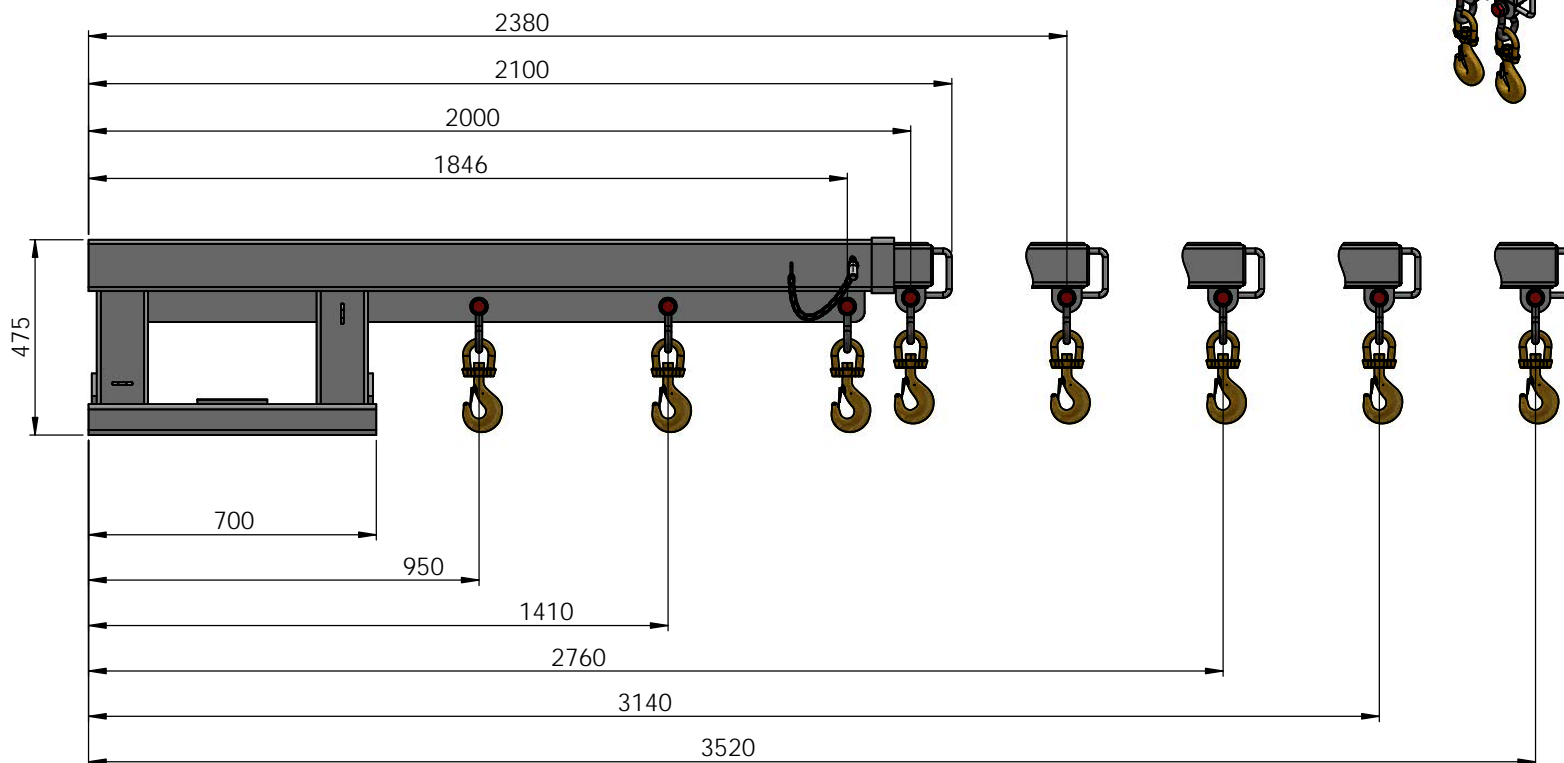
SAFE WORKING LOADS (SWL) PER POSITION

POSITION	1	2	3	4				
EXTENSION	950	1410	1870	2000	2380	2760	3140	3520
SWL (kg)	2500	2500	1900	1650	1250	650	380	240
HCoG (mm)	747	747	747	747	831	912	995	1070
VCoG (mm)	185	185	185	185	185	185	185	185



SPECIFICATIONS:

Safe Working Load (SWL)	2500kg Max.
Unit Weight	135kg
Load Centre	950mm
Pocket Size	150 x 75
Pocket Centres	225mm
Horizontal C of G	1160mm
Vertical C of G	185mm
Zinc Finish	



RIGID JIB 2.5 TON - LONG

© DHE MATERIALS HANDLING EQUIP 2021

ALL DIMENSIONS IN MM

SHEET 1 OF 1

