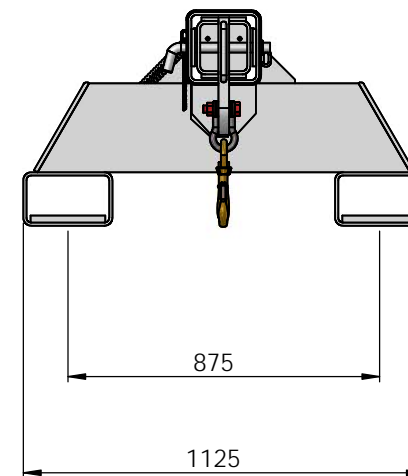
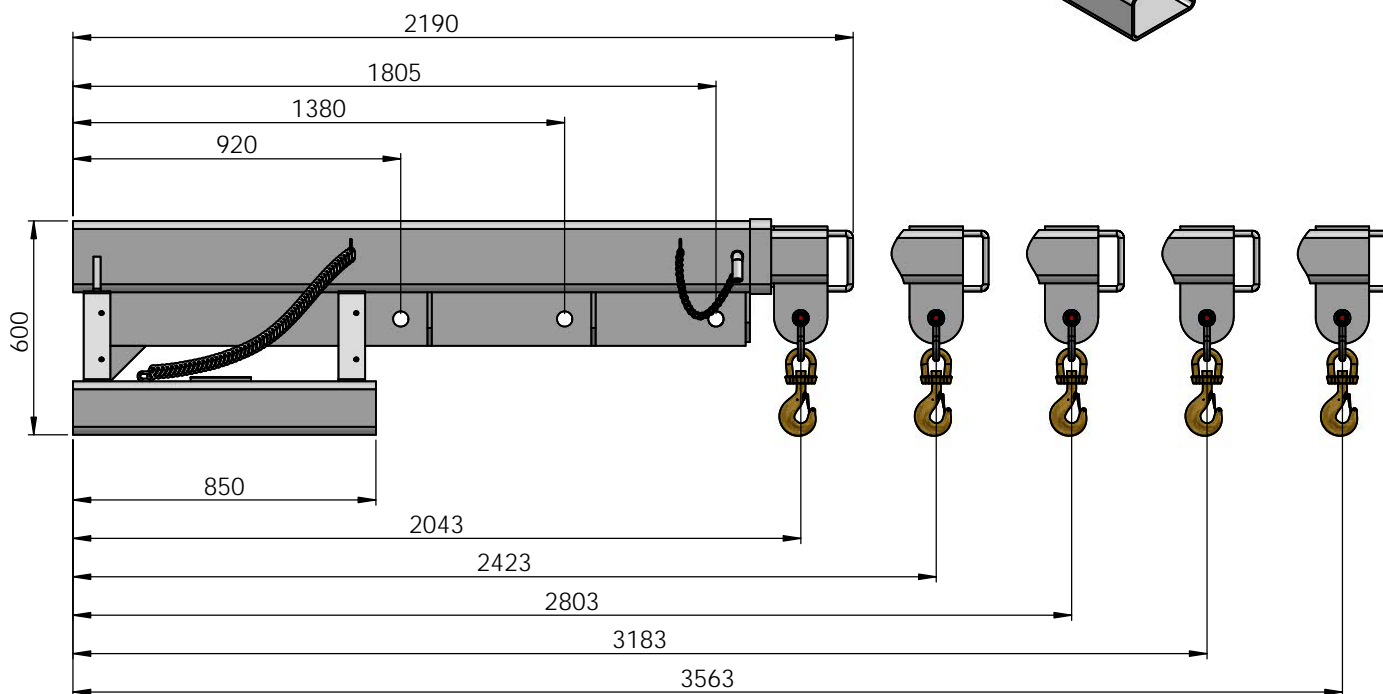
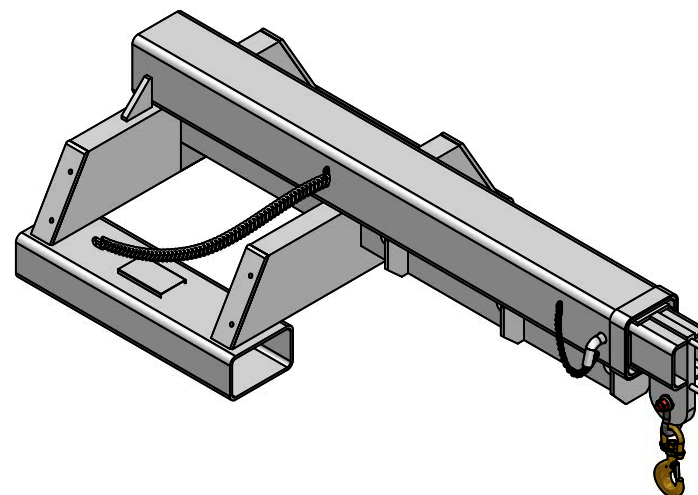


SAFE WORKING LOADS (SWL) PER POSITION								
POSITION	1	2	3	4	5	6	7	8
EXTENSION	920	1380	1805	2045	2425	2805	3185	3565
SWL (kg)	10000	8550	7600	6600	5000	2600	1520	960

SPECIFICATIONS:	
Safe Working Load (SWL)	10000kg Max.
Unit Weight	515kg
Load Centre	920mm
Pocket Size	250 x 150
Pocket Centres	875mm
Horizontal C of G	1200mm
Vertical C of G	100mm
Zinc Finish	



(Specifications subject to change)

## FORKLIFT FIXED JIB 10 TON (LONG)

© DHE MATERIALS HANDLING EQUIP 2021

ALL DIMENSIONS IN MM

SHEET 1 OF 1

