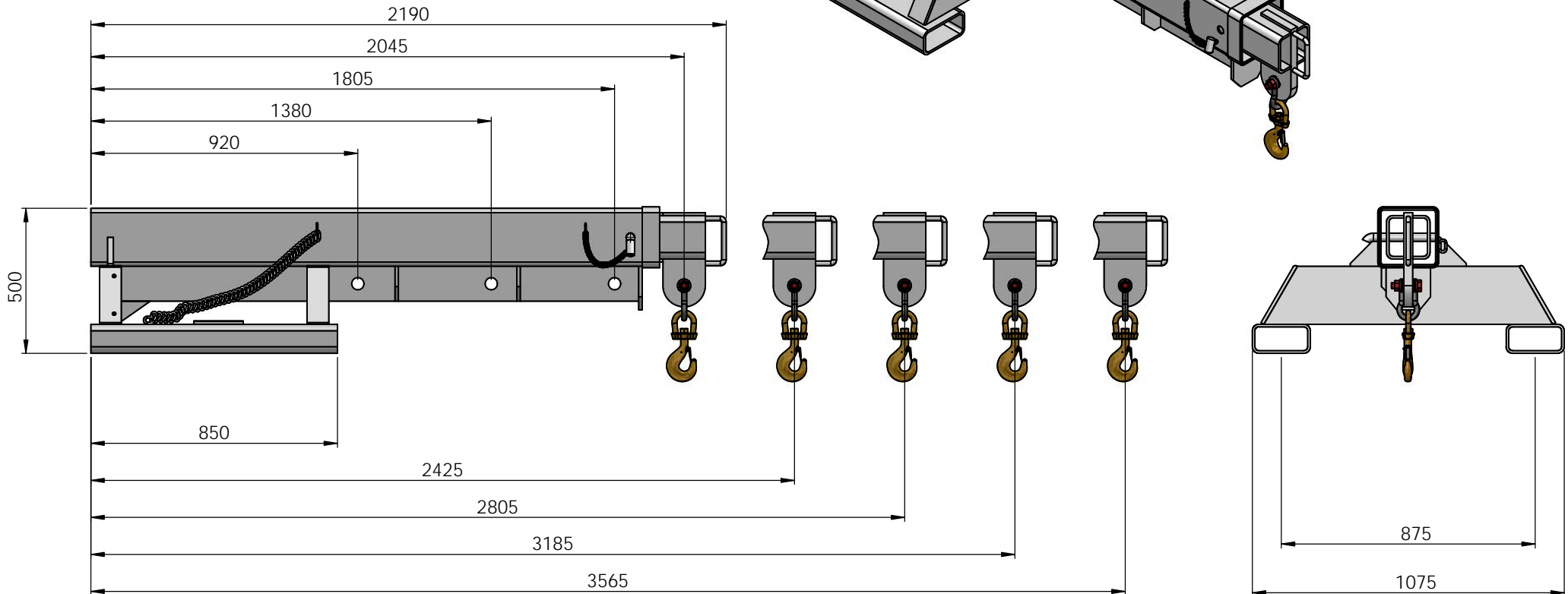
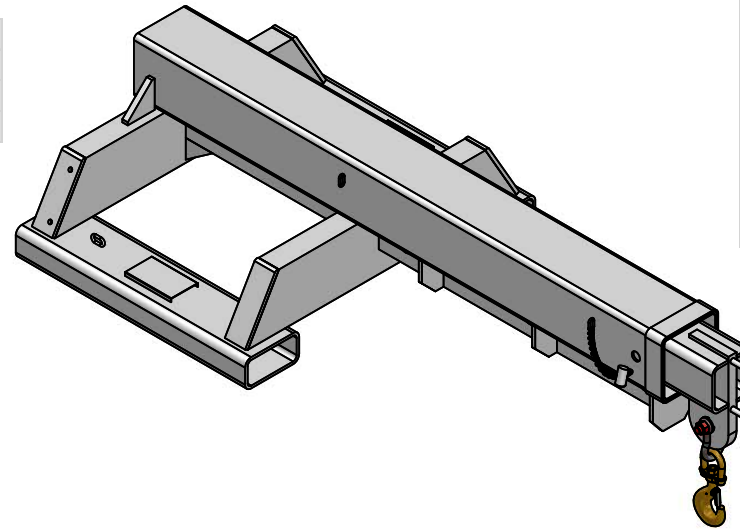


SAFE WORKING LOADS (SWL) PER POSITION

POSITION	1	2	3	4	5	6	7	8
EXTENSION (mm)	920	1380	1805	2045	2425	2805	3185	3565
SWL (kg)	7500	6410	5700	4950	3750	1950	1140	720

SPECIFICATIONS:

Safe Working Load (SWL)	500kg Max
Unit Weight	450kg
Load Centre	920mm
Pocket Size	200 x 100
Pocket Centres	875mm
Horizontal C of G	1200mm
Vertical C of G	100mm
Zinc Finish	



(Specifications subject to change)

FORKLIFT FIXED JIB 7.5 TON - LONG

© DHE MATERIALS HANDLING EQUIP 2021

ALL DIMENSIONS IN MM

SHEET 1 OF 1

