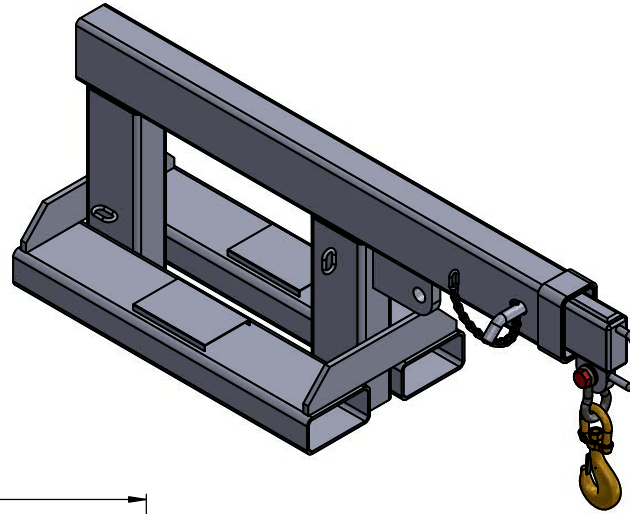


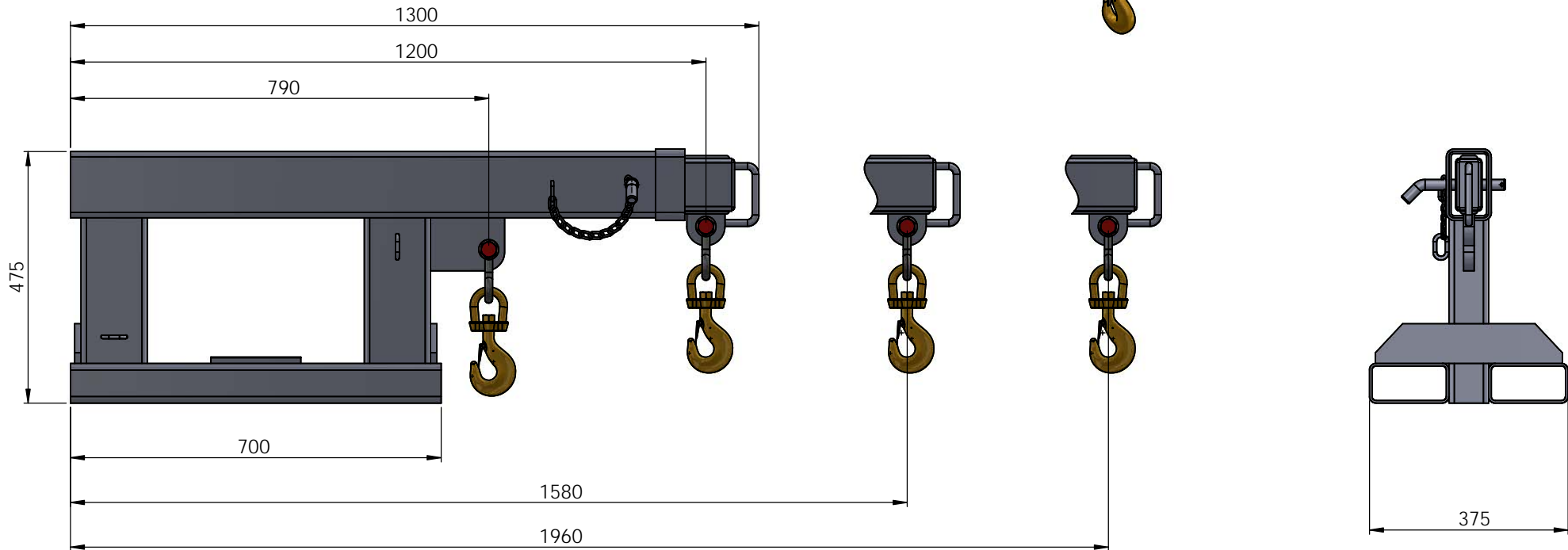
SAFE WORKING LOADS (SWL) PER POSITION

POSITION	1	2	3	4
EXTENSION	790	1200	1580	1960
SWL (kg)	2500	1200	900	750



SPECIFICATIONS:

Safe Working Load (SWL)	2500kg Max.
Unit Weight	100kg
Load Centre	790mm
Pocket Size	150 x 75
Pocket Centres	225mm
Horizontal C of G	630mm
Vertical C of G	135mm
Zinc Finish	



RIGID JIB 2.5 TON - SHORT

© DHE MATERIALS HANDLING EQUIP 2021

ALL DIMENSIONS IN MM

SHEET 1 OF 1

