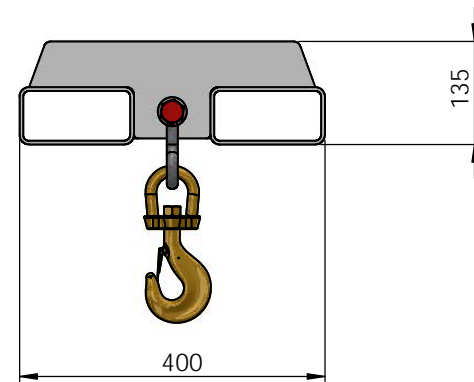
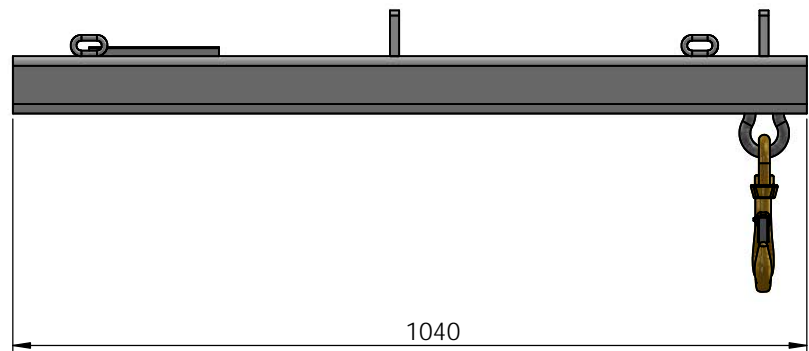
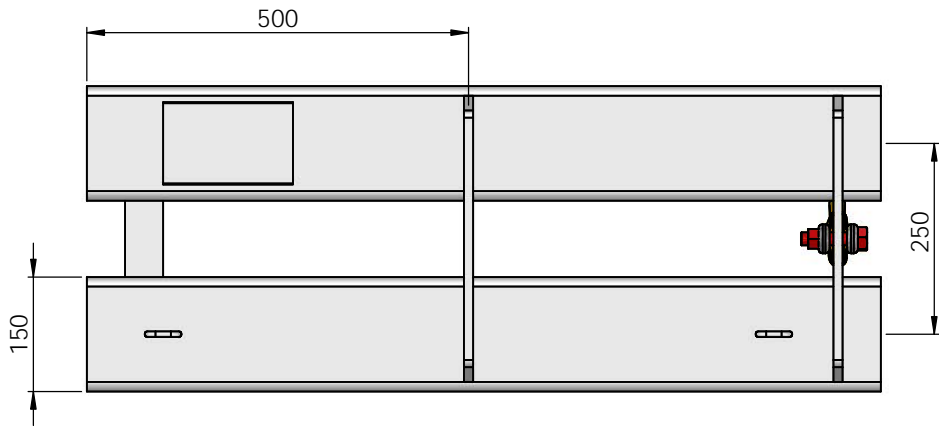


SPECIFICATIONS:	
Safe Working Load (SWL)	2000kg Max.
Unit Weight	37kg
Pocket Size	140 x 65
Pocket Centres	250mm
Horizontal C of G	570mm
Vertical C of G	50mm
Load Centre	1000mm
Galvanised Finish	



SLIP ON JIB - 2 TONNE - DHE.LJ2T

