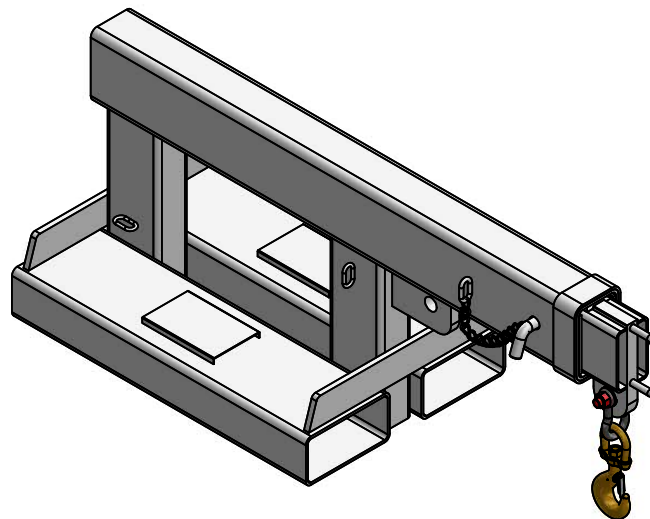


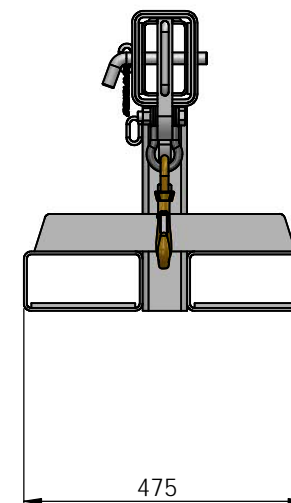
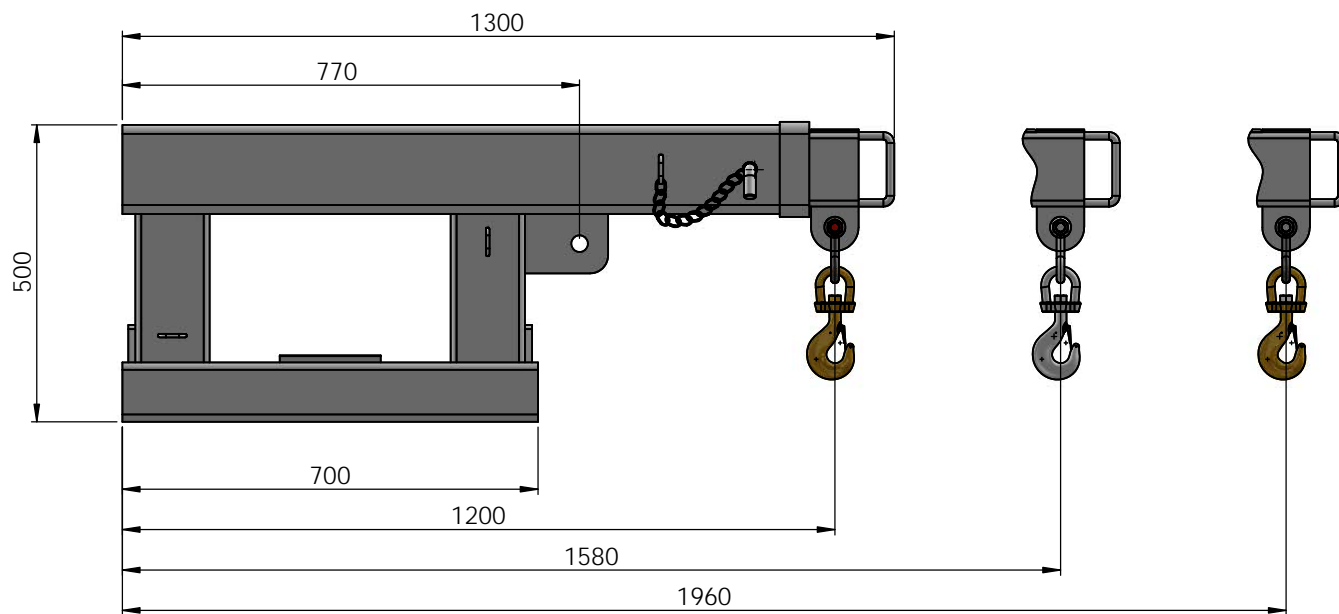
SAFE WORKING LOADS (SWL) PER POSITION

POSITION	1	2	3	4
EXTENSION	770	1200	1580	1960
SWL (kg)	4750	2400	1800	1500



SPECIFICATIONS:

Safe Working Load (SWL)	4750kg Max.
Unit Weight	130kg
Pocket Size	200 x 100
Pocket Centres	275mm
Horizontal C of G	770mm
Vertical C of G	165mm
Load Centre	770mm
Zinc Finish	



(Specifications subject to change)

RIGID 4.75 TON SHORT

© DHE MATERIALS HANDLING EQUIP 2021

ALL DIMENSIONS IN MM

SHEET 1 OF 1

