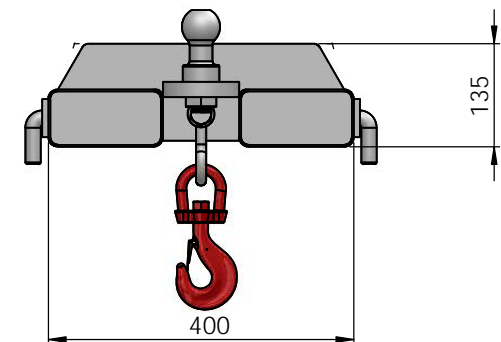
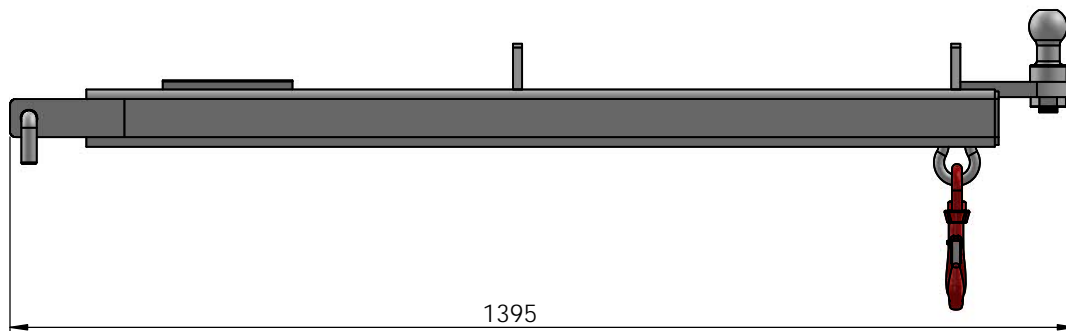
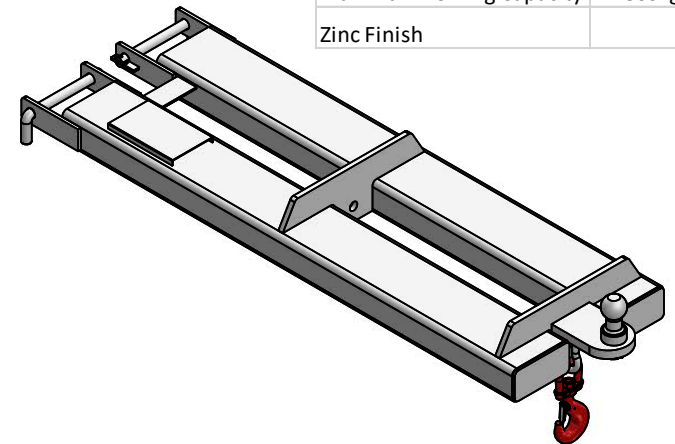
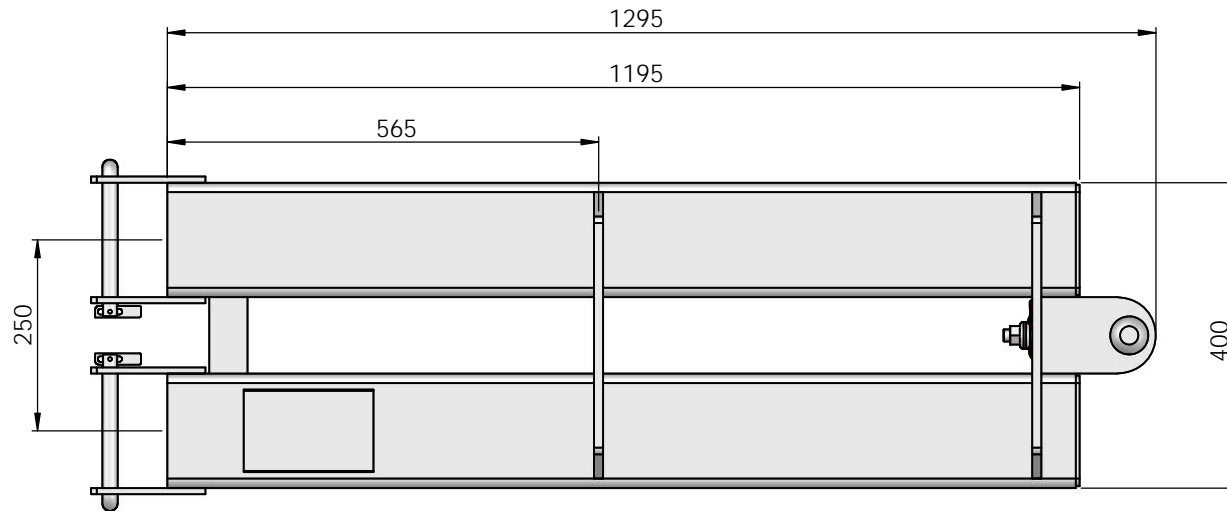


SPECIFICATIONS:

Safe Working Load (SWL)	2000kg Max.
Unit Weight	45kg
Load Centre	1160mm
Pocket Size	150 x 75
Pocket Centres	250mm
Horizontal C of G	655mm
Vertical C of G	50mm
Maximum Towing Capacity	500kg
Zinc Finish	



TOW UNIT 2 TONNE DHE.TW2T

