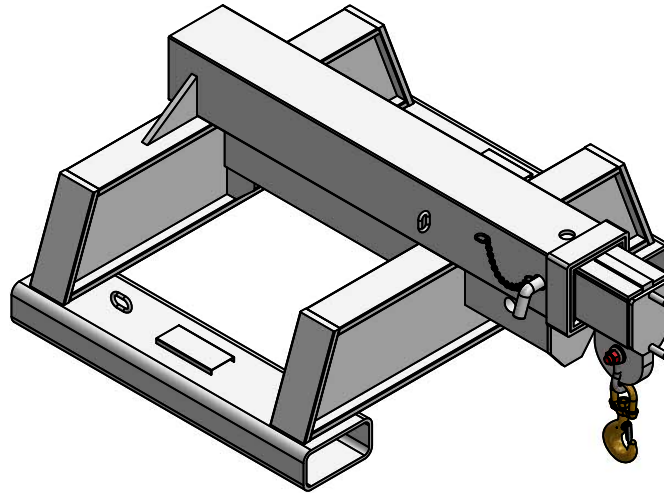


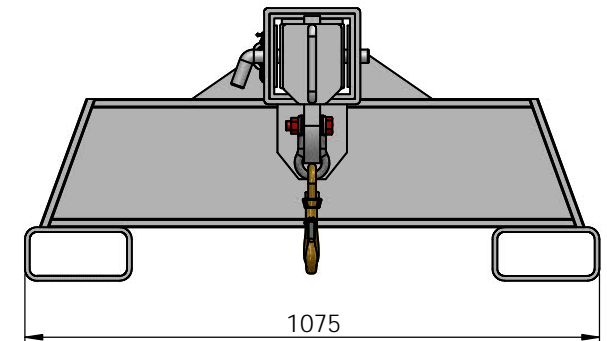
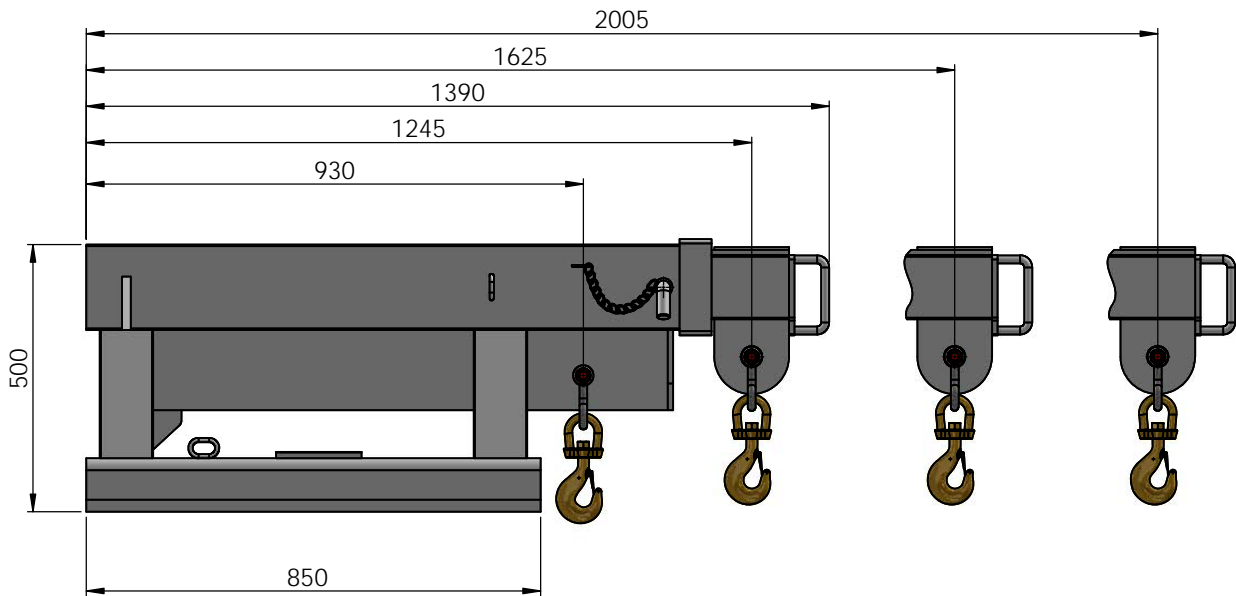
SAFE WORKING LOADS (SWL) PER POSITION

POSITION	1	2	3	4
EXTENSION	930	1245	1625	2005
SWL (kg)	7500	3600	2700	2250



SPECIFICATIONS:

Safe Working Load (SWL)	7500kg Max.
Unit Weight	320kg
Load Centre	930mm
Pocket Size	200 x 100
Pocket Centres	875mm
Horizontal C of G	740mm
Vertical C of G	100mm
Zinc Finish	



(Specifications subject to change)

FORKLIFT JIB FIXED - 7.5 TON (SHORT)

© DHE MATERIALS HANDLING EQUIP 2021

ALL DIMENSIONS IN MM

SHEET 1 OF 1

