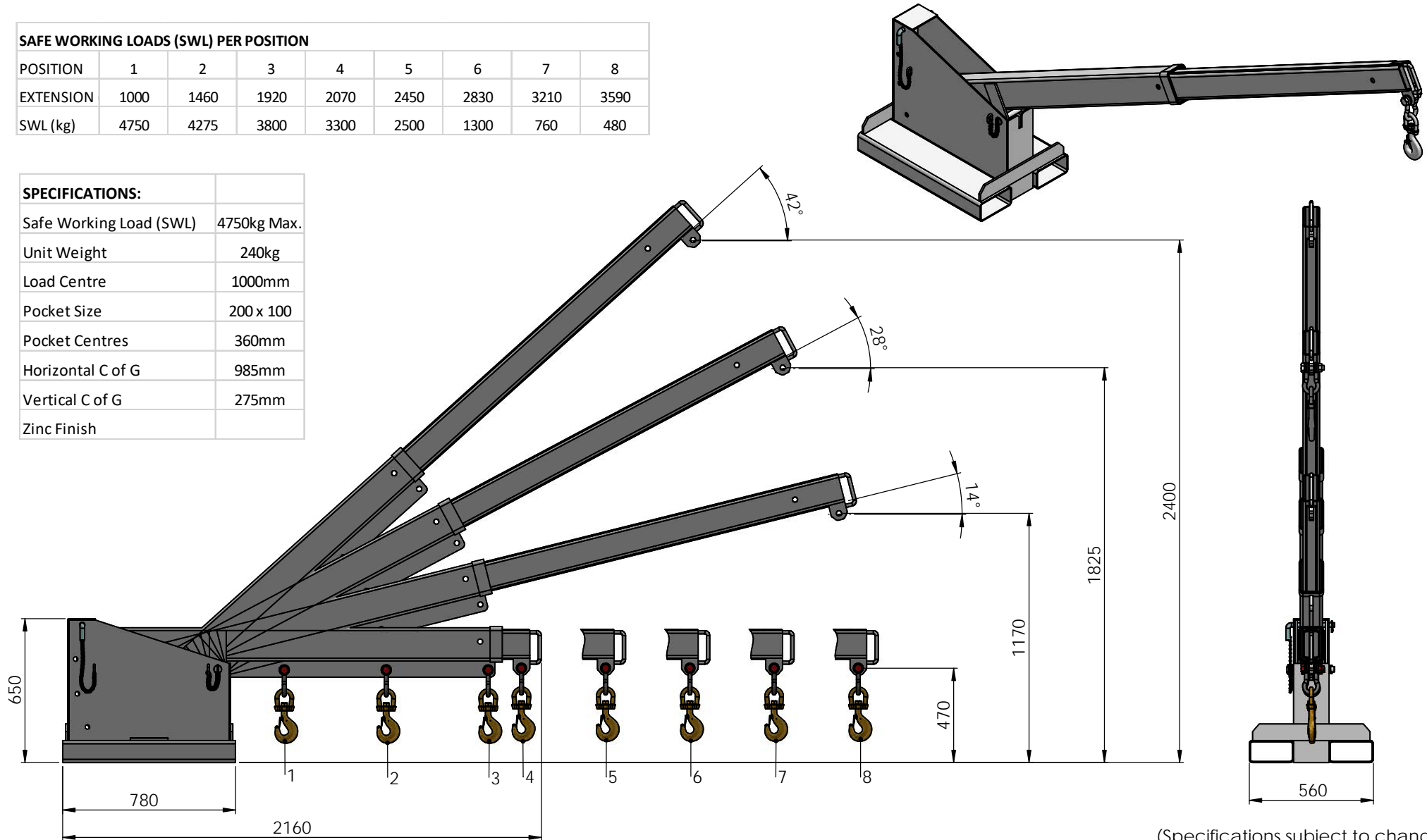


**SAFE WORKING LOADS (SWL) PER POSITION**

POSITION	1	2	3	4	5	6	7	8
EXTENSION	1000	1460	1920	2070	2450	2830	3210	3590
SWL (kg)	4750	4275	3800	3300	2500	1300	760	480

**SPECIFICATIONS:**

Safe Working Load (SWL)	4750kg Max.
Unit Weight	240kg
Load Centre	1000mm
Pocket Size	200 x 100
Pocket Centres	360mm
Horizontal C of G	985mm
Vertical C of G	275mm
Zinc Finish	



(Specifications subject to change)

## FORKLIFT JIB INCLINE - 4.75 TONNE (LONG)

© DHE MATERIALS HANDLING EQUIP 2021

ALL DIMENSIONS IN MM

SHEET 1 OF 1

