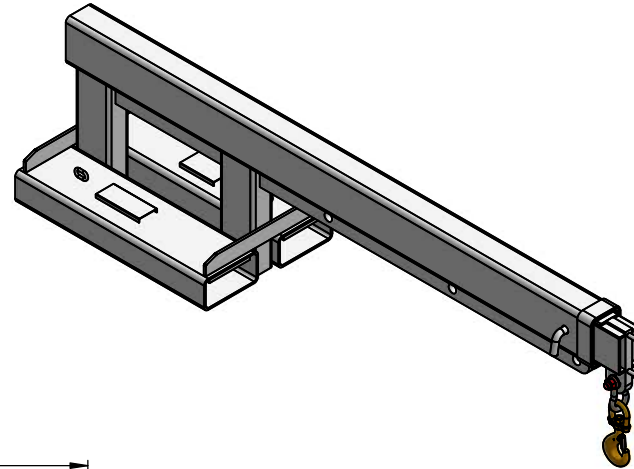


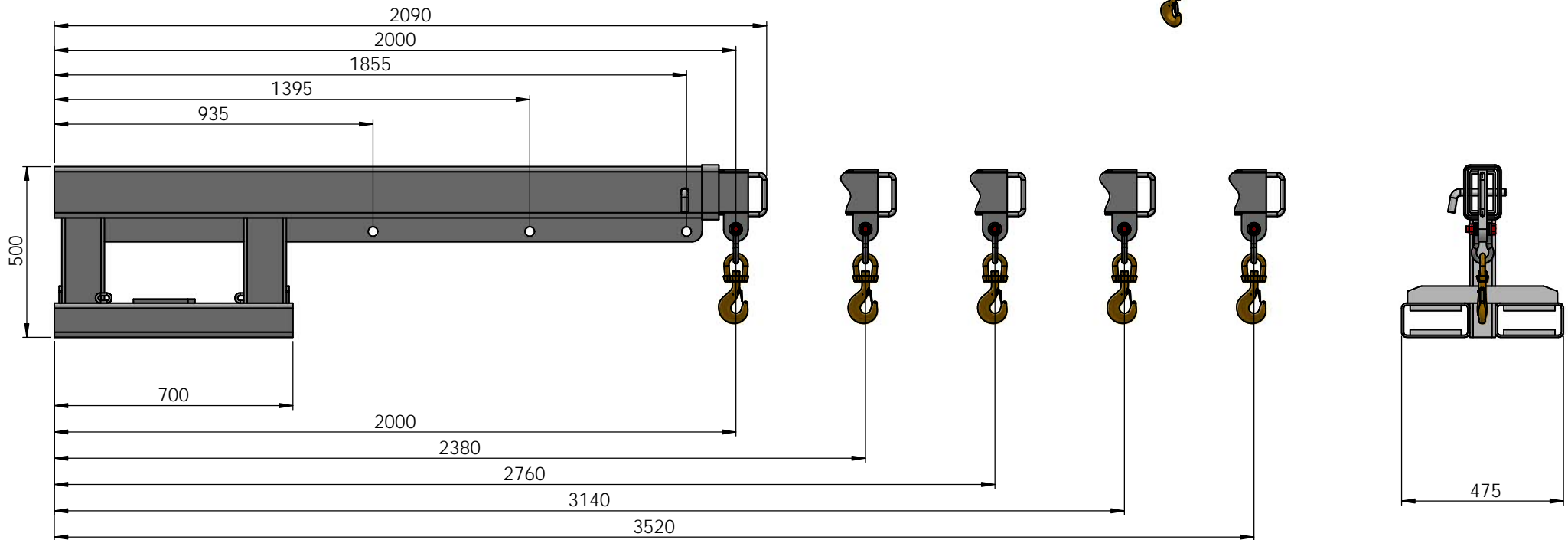
**SAFE WORKING LOADS (SWL) PER POSITION**

POSITION	1	2	3	4	5	6	7	8
EXTENSION	935	1395	1855	2000	2380	2760	3140	3520
SWL (kg)	4750	4275	3800	3300	2500	1300	760	480



**SPECIFICATIONS:**

Safe Working Load (SWL)	4750kg Max.
Unit Weight	170kg
Load Centre	935mm
Pocket Size	200 x 100
Pocket Centres	275mm
Horizontal C of G	1210mm
Vertical C of G	200mm
Zinc Finish	



(Specifications subject to change)

## FORKLIFT JIB - RIGID 4.75 TON (LONG)

© DHE MATERIALS HANDLING EQUIP 2021

ALL DIMENSIONS IN MM

SHEET 1 OF 1

