

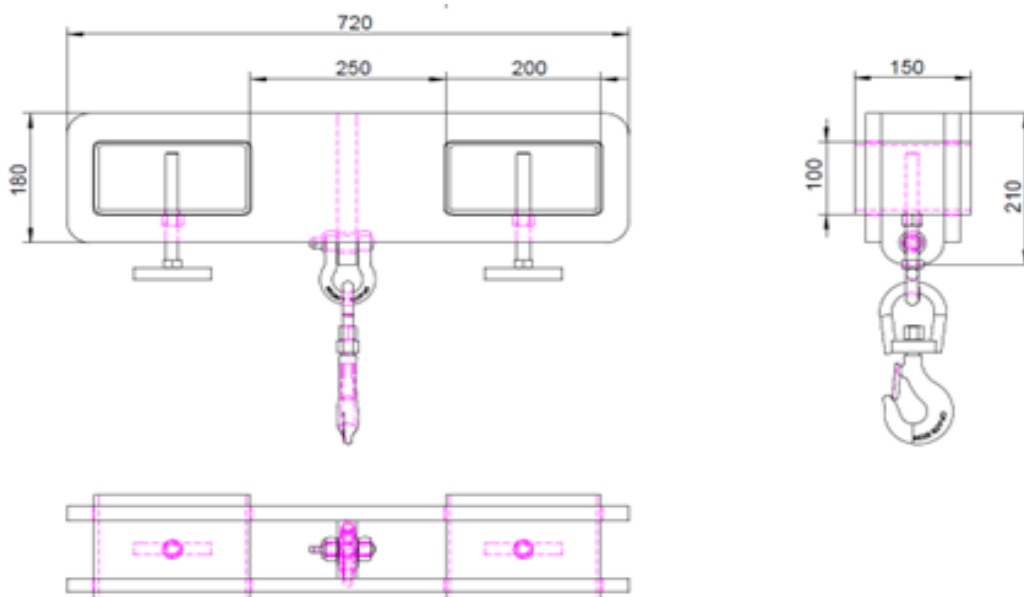
## MK50 TYNE HOOK SPECIFICATIONS SHEET



**MK Series Forklift Hook**  
 This product can convert forklift into a mobile crane in seconds, it's adjustable along the length of the fork tynes. it can be secured by the thumb screws.

**MK50 Tyne Hook**  
 WGT: 49kg  
 HCG:  
 VCG:  
 WLL: 5000kg

Model	WLL(kg)	Dimensions(mm)	Fork Pocket Ctn.(mm)	Fork Pocket Size(mm)	Weight(kg)
MK50	5000	720x150x210	450	190x90	49



Specification Subject to change without notice